



**Dearborn<sup>®</sup>  
Brass**

4675 W. 160th St.  
Cleveland, Ohio 44135  
Ph: (800) 321-9532  
Fax: (800) 321-9535  
www.dearbornbrass.com

## Brass Tubular Full Kits Direct Drain

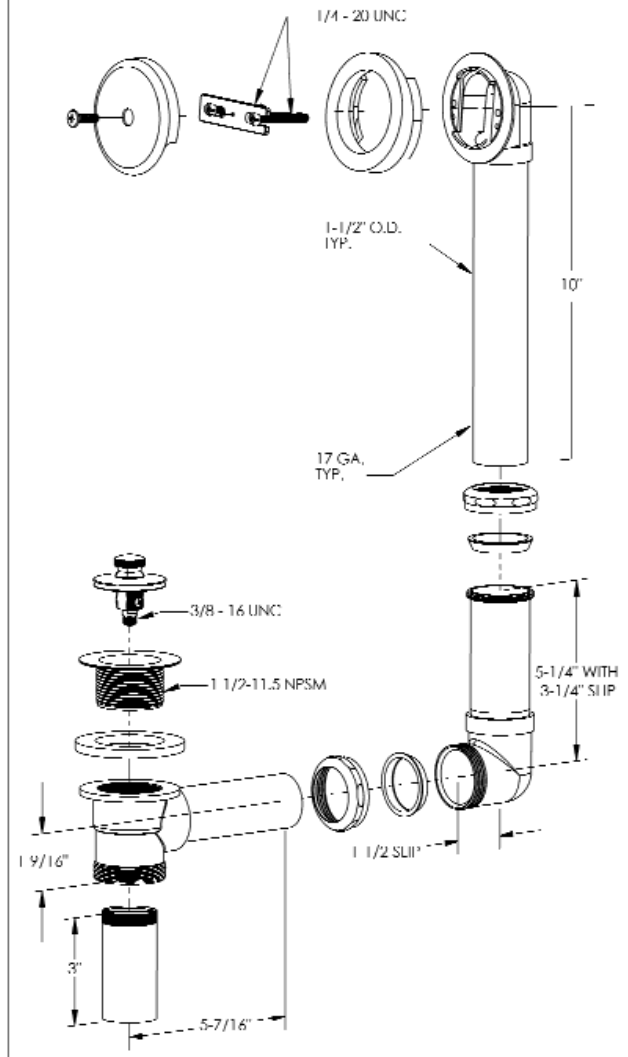
### SUBMITTAL SPECIFICATION

**Engineering Specification:** Manufactured to strict industry standards, 17 Gauge Direct Outlet Uni-Lift Bath Waste, 1-Hole Faceplate, 1-1/2" Waste Shoe, 1-1/2" Brass Drain Spud, Brass Nuts.

Job Reference



Data is subject to manufacturing tolerances.



Visit [www.dearbornbrass.com](http://www.dearbornbrass.com) for updates.

✓	Prod. No	Description
	227D-3	FULL KIT, BRASS TUBULAR- 17 GA. UNI-LIFT STOPPER W/CHROME FINISH TRIM DIRECT DRAIN