

Brass Tubular Full Kits Horizontal Drain

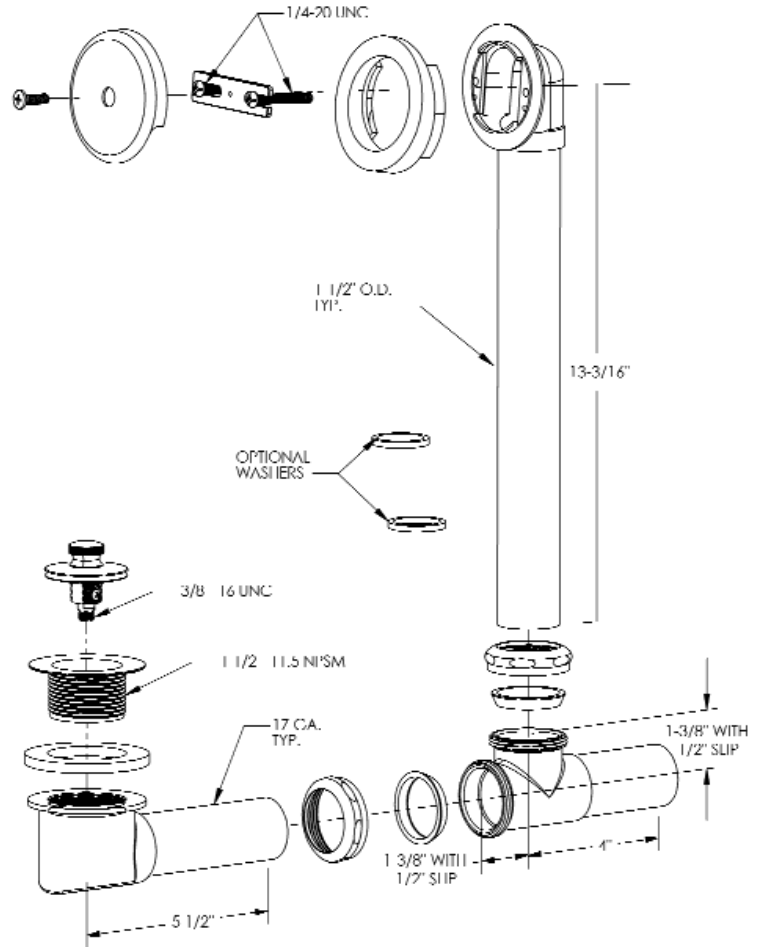
SUBMITTAL SPECIFICATION

Engineering Specification: Manufactured to strict industry standards, 17 Gauge Horizontal Outlet Bath Waste with Uni-Lift Stopper, 1 Hole Faceplate, 1-1/2" Waste Shoe, 1-1/2" Brass Drain Spud, Brass Nuts.

Job Reference



Data is subject to manufacturing tolerances.



Visit www.dearbornbrass.com for updates.

✓	Prod. No	Description
	227H-3	FULL KIT, BRASS TUBULAR- 17 GA. UNI-LIFT STOPPER W/CHROME FINISH TRIM HORIZONTAL DRAIN