

Brass Tubular Full Kits - Thru Wall

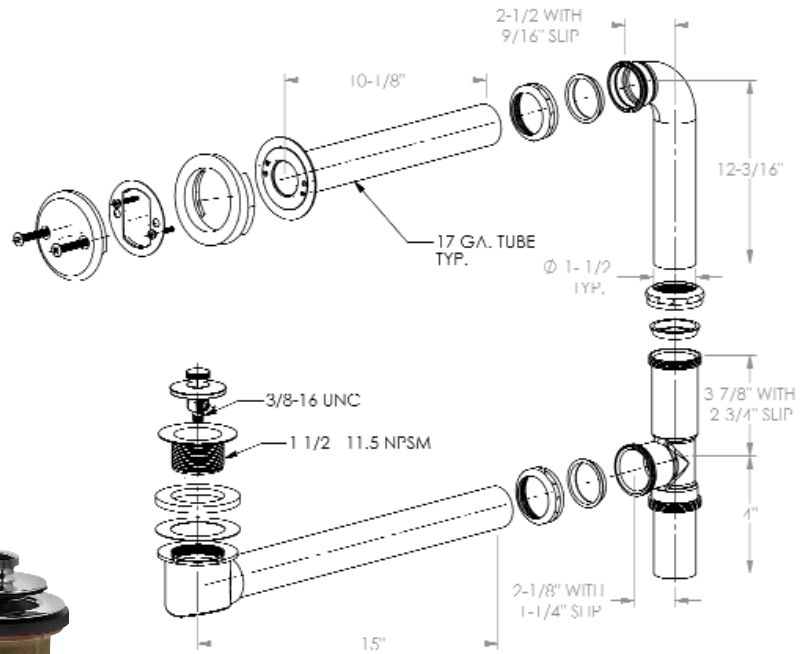
SUBMITTAL SPECIFICATION

Engineering Specification: Manufactured to strict industry standards, 17 Gauge Thru-Wall Bath Waste with Uni-Lift Stopper, 1-1/2" Waste Shoe, 1-1/2" Drain Spud, Brass Nuts.

Job Reference



Data is subject to manufacturing tolerances.



Visit www.dearbornbrass.com for updates.

✓	Prod. No	Description
	235-3	FULL KIT, BRASS TUBULAR- 17 GA. UNI-LIFT STOPPER W/ CHROME FINISH TRIM CHICAGO CODE THRU WALL