



4675 W. 160th St.
 Cleveland, Ohio 44135
 Ph: (800) 321-9532
 Fax: (800) 321-9535
 www.dearbornbrass.com

Plastic Tubular Full Kits with Direct Drain

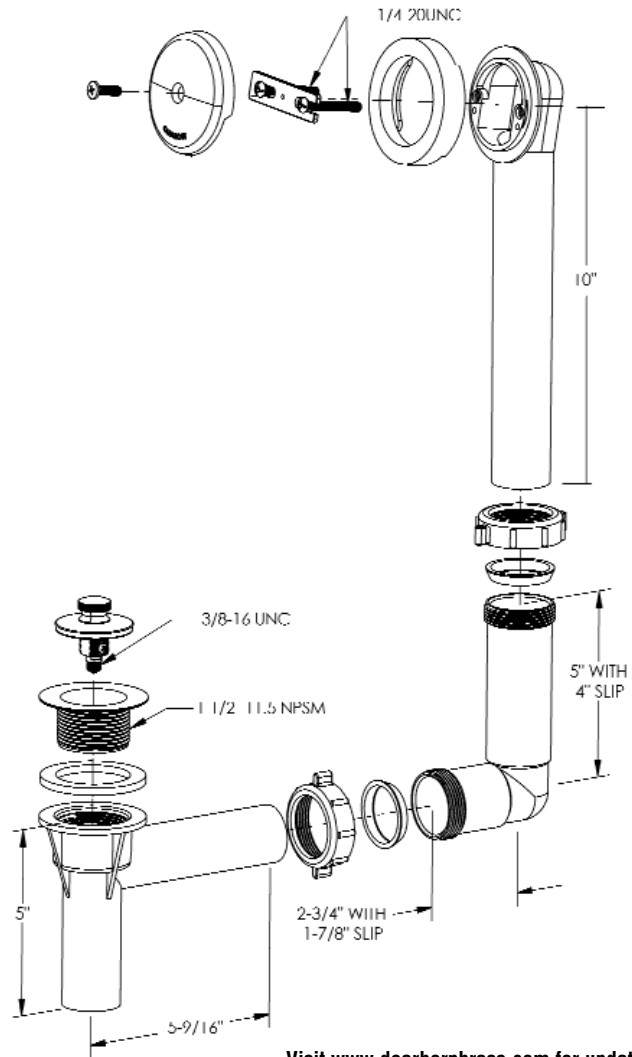
SUBMITTAL SPECIFICATION

Engineering Specification: Manufactured to strict industry standards, Polypropylene Bath Waste with Direct Drain. Comes with 1-1/2" Drain Shoe, 1-1/2" Drain Spud, Brass Uni-Lift Stopper.

Job Reference



Data is subject to manufacturing tolerances.



Visit www.dearbornbrass.com for updates.

✓	Prod. No	Description
	P8227D	FULL KIT, PLASTIC TUBULAR-WHITE UNI-LIFT STOPPER W/CHROME FINISH, DIRECT DRAIN
	A8227D	FULL KIT, PLASTIC TUBULAR- BLACK UNI-LIFT STOPPER W/CHROME FINISH, DIRECT DRAIN

A=Black, P=White