



**Dearborn[®]
Brass**

4675 W. 160th St.
Cleveland, Ohio 44135
Ph: (800) 321-9532
Fax: (800) 321-9535
www.dearbornbrass.com

Schedule 40 Full Kits with Overflow Test System

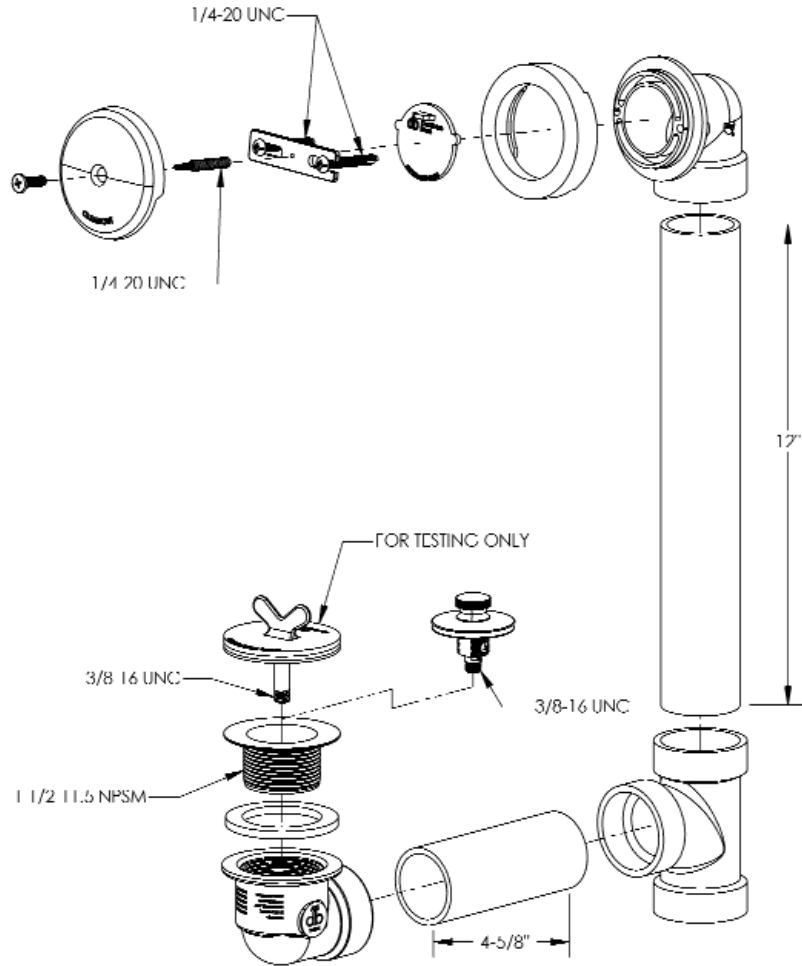
SUBMITTAL SPECIFICATION

Engineering Specification: Manufactured to strict industry standards, Schedule 40 Full Kits in PVC or ABS Plastic
1-1/2" Brass Drain Spud. Various stopper styles available.

Job Reference



Data is subject to manufacturing tolerances.



Visit www.dearbornbrass.com for updates.

✓	Prod. No	Description
	P7224	FULL KIT, SCHEDULE 40- PVC TOUCH TOE STOPPER W/CHROME FINISH
	A7224	FULL KIT, SCHEDULE 40- ABS TOUCH TOE STOPPER W/CHROME FINISH
	P7225	FULL KIT, SCHEDULE 40- PVC UNI-LIFT STOPPER W/CHROME FINISH
	A7225	FULL KIT, SCHEDULE 40- ABS UNI-LIFT STOPPER W/CHROME FINISH

A=ABS, P=PVC